

BUS Universal radiographic stand



BMI

BUS Universal radiographic stand

Versatile unit with swiveling U arm, for radiographic imaging on standing, sitting and recumbent patients



Main Features

- Perfectly balanced unit, all movements manually controlled
- Variable F.F.D., up to 194 cm
- Tilting Potter Bucky for specialized investigations

TECHNICAL DATA

U-arm

Movements:

- vertical: From 50 to 160 cm, with horizontal X-Ray beam
- rotation: +/- 120°, with angle indication
- F.F.D.: From 94 to 194 cm

Electromagnetic brakes

X-Ray tube

+/- 90° rotation, stop at 0° position

Manual locking

Potter Bucky

Tilting: +/- 45°, stop at 0° position

For all cassettes size from 18x24 cm to 35x43 cm

Manual locking

Patient table support (optional)

Freely movable on pivoting wheels

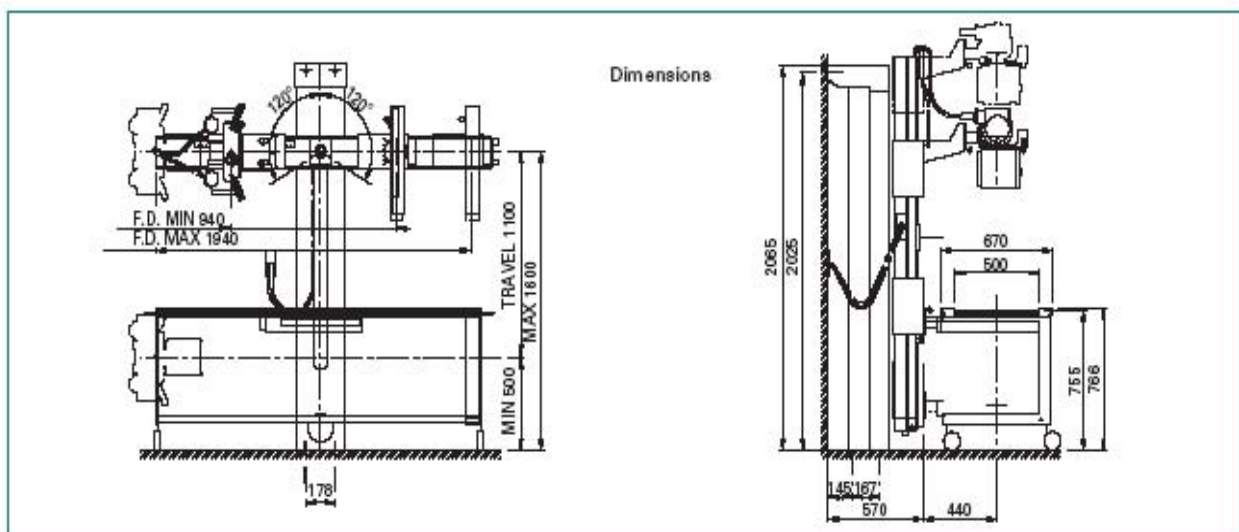
Weight

Universal stand: 320 Kg

Patient table support: 50 Kg

Power supply

230 V, 150 VA



ESSE 3 Via Garibaldi 30
14022 castelnuovo D.B.
tel +39 011 99 27 706
fax +39 011 99 27 506
e-mail esse3@tuttopmi.it
web : www.4ci.com

